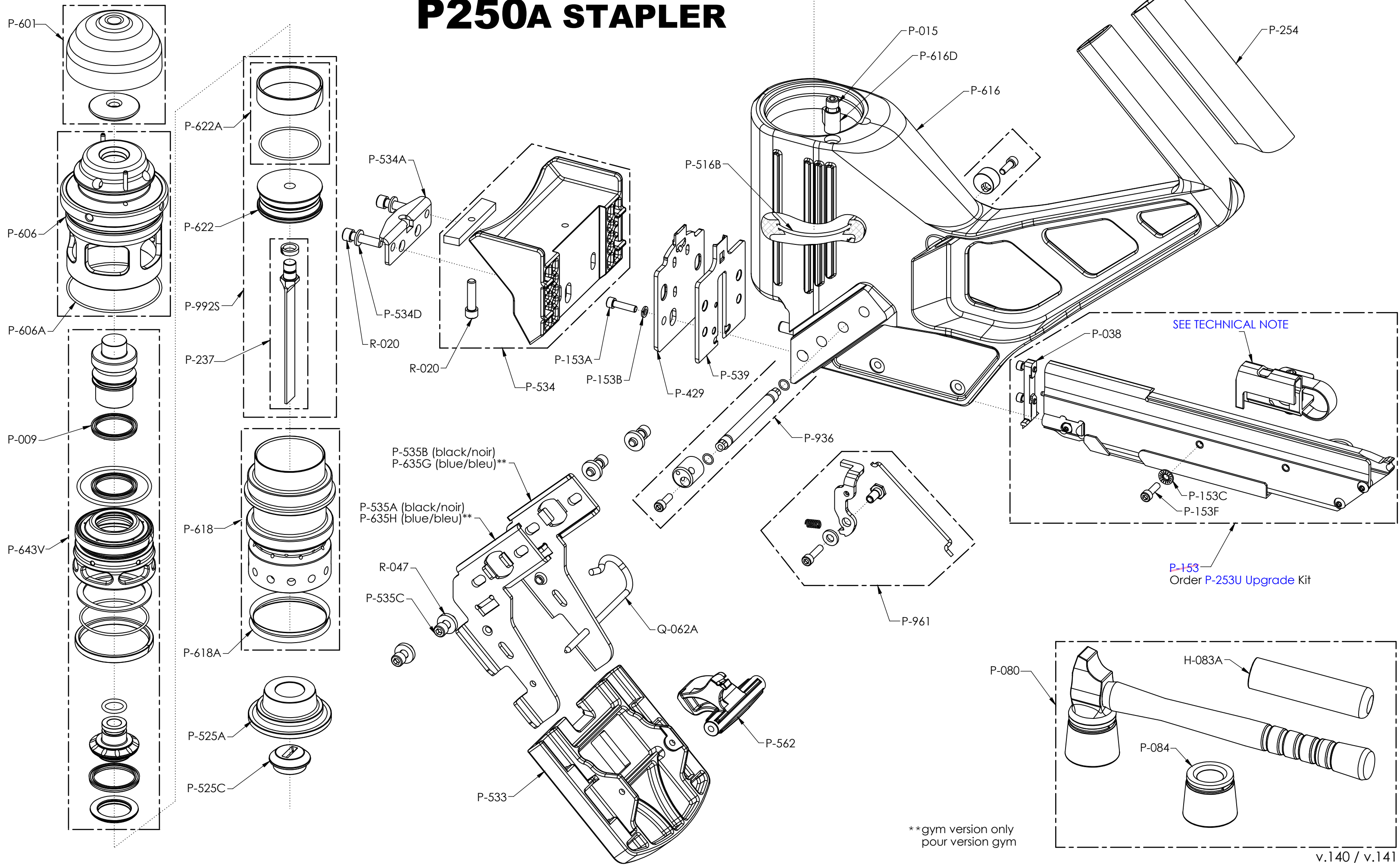


P250A STAPLER



SEE TECHNICAL NOTE

P-153
Order P-253U Upgrade Kit

**gym version only
pour version gym